



BraunAbility™

Because Life is a Moving Experience™



Automatic Door

The original vehicle door operator reliably opens the sliding door at the touch of a button.



Kneeling Suspension

As the door opens, the rear suspension "kneels" to reduce the slope of the ramp even further.



Automatic Ramp

The lightweight aluminum ramp extends to allow easy access to the lowered floor interior.

Remote Control

The accessible functions are controlled by the keychain remote and several interior switches placed for your convenience.



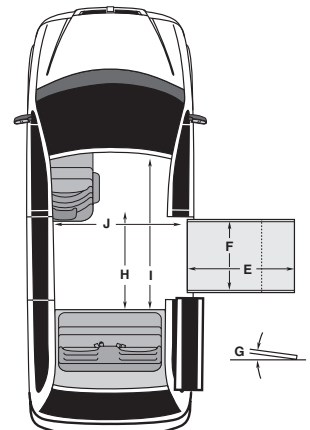
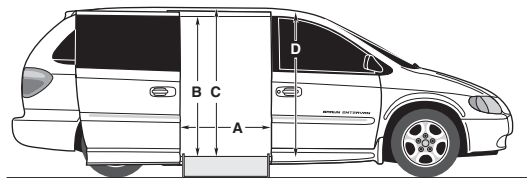
Standard Features (fully automatic conversion)

- Keychain Remote Control
- Kneeling Rear Suspension
- Removable Passenger Seat
- Removable Driver Seat
- Automatic Passenger Sliding Door*
- Automatic Bi-Fold Ramp
- 10" Lowered Floor
- Wheelchair/Occupant Securement System
- Interior OEM Control Switches
- Custom Ground Effects

Optional Features

- Retractable Belt Securement System
- Taillight Magnetic Control System
- Dealer-Installed Electric Tie-Down

* On certain chassis, the automatic door must be ordered as an option. Contact your Braun Dealer for details.



All dimensions are for reference only.

		Chrysler		GM		Toyota	
		Foldout Ramp	Infloor Ramp	Foldout Ramp	Infloor Ramp	Foldout Ramp	Infloor Ramp
Door Opening Usable Width (Slide Door)	A	31-1/4"	30"	31-1/2"	31-3/4"	31-1/4"	29-3/4"
Door Opening Usable Height (Slide Door)	B	52-3/4"	52"	56"	53-3/4"	54-1/4"	53-3/8"
Interior Height at Center of Van*	C	57-1/4"	56"	58"	56-1/4"	59-1/4"	58-1/4"
Interior Height at Driver and Passenger Position**	D	56-1/4"	54-1/2"	57"	56"	57-1/4"	56-3/4"
Ramp Length	E	52"	48"	52"	46"	52"	48"
Ramp Width (Useable Clear Opening)	F	29-1/4"	30"	30"	30"	29-1/4"	30"
Ramp Angle (with Vehicle Kneeled)	G	9.4°	10.7°	7.3°	9.3°	9.1°	10.2°
Interior Floor Length (Behind Front Seats)	H	53-1/2"	57"	54"	54-1/2"	50"	50"
Overall Interior Floor Length (Flat Area)	I	82"	85"	84-1/2"	84-1/2"	83-1/2"	83"
Interior Width at B Pillars	J	60-1/4"	60-1/2"	57"	56-3/4"	62-1/4"	61-1/2"

* Deduct (2-1/2" for Chrysler) (3" for GM) (2-3/4" for Toyota) off of Interior Height for Vehicles with Overhead DVD/Rail System

** Deduct (2" for Chrysler) (3" for Toyota) off of Interior Height for Vehicle with Moon Roof

Due to manufacturing tolerances both with the OEM vehicle and the conversion components, all dimensions may vary slightly from those shown.

BraunAbility™ Minivans available on:

- Chrysler Town & Country**
- Dodge Grand Caravan**
- Chevy Uplander**
- Buick Terraza**
- Pontiac Montana**
- Toyota Sienna**